

**CANADIAN  
ENGRAVERS  
SUPPLY**



# stand-offs & mounting fixtures

**ONTARIO**

Email: [sales@cesco.ca](mailto:sales@cesco.ca)  
[www.cesco.ca](http://www.cesco.ca)

**ALBERTA**

Email: [salesab@cesco.ca](mailto:salesab@cesco.ca)  
[www.cesco.ca](http://www.cesco.ca)



# metro™

## single panel

Sturdy and attractive mounting hardware for single-panel signage. Metro™ stand-offs are the premier choice for interior architectural design projects.



**Features:**

- Materials: solid brass or aluminum
- Sturdy single-panel support system
- Application: indoor
- Stainless steel stud extenders available:  
**STD-SS-EXT3** - 5/16" x 3/4" length  
**STD-SS-EXT** - 5/16" x 1" length  
**STD-SS-EXT6** - 1/4" x 3/4" length\*

\*Only available for STD-SPF0-10



**Packaging:**

Sold in sets of 4.  
 Drywall anchors.  
 Assembly kit included.



Solid Brass					Solid Aluminum
Powder Coated			Chrome Plated		Brushed Silver (10)
Black (02)	Satin Chrome (03)	White (07)	Gold (08)	Chrome (09)	
<b>STD-SPF0-10</b> D = .39" L = .51" C = .20" Holds mat'l thickness from 0 - 3/8"	<b>STD-SPF1 - XX</b> D = .47" L = .59" C = .28" Holds mat'l thickness from 1/8" - 7/16"	<b>STD-SPF2 - XX</b> D = .59" L = .39" C = .28" Holds mat'l thickness from 1/8" - 7/16"	<b>STD-SPF3 - XX</b> D = .59" L = .71" C = .28" Holds mat'l thickness from 1/16" - 7/16"	<b>STD-SPF4 - XX</b> D = .59" L = 1.57" C = .28" Holds mat'l thickness from 0 - 7/16"	
<b>STD-SPF5 - XX</b> D = .75" L = .39" C = .28" Holds mat'l thickness from 1/8" - 3/16"	<b>STD-SPF7 - XX</b> D = .98" L = .39" C = .31" Holds mat'l thickness from 1/4" - 7/16"	<b>STD-SPF8 - XX</b> D = .98" L = .79" C = .31" Holds mat'l thickness from 0 - 5/16"	<b>STD-SPF10 - XX</b> D = .98" L = 1.97" C = .39" Holds mat'l thickness from 0 - 3/8"	<b>STD-SPF11-10</b> D = 1.50" L = .98" C = .40" Holds mat'l thickness from 0 - 1/2"	

Specify colour code - Replace 'XX' with colour required. D = Diameter L = Length C = Cap Height



# metro™

## double panel

Featuring a sturdy double-panel support system. Metro™ stand-offs are ideal for informational and directional signage, room identifiers, display panels, and other decorative applications.



### Features:

- › Materials: solid brass or aluminum
- › Sturdy double-panel support system
- › Application: indoor
- › Stainless steel stud extenders available:  
**STD-SS-EXT3** - 5/16" x 3/4" length  
**STD-SS-EXT** - 5/16" x 1" length



### Packaging:

Sold in sets of 4.  
 Drywall anchors.  
 Assembly kit included.



Solid Brass			Solid Aluminum		
Powder Coated		Chrome Plated	Solid Aluminum		
Black (02)	Satin Chrome (03)	White (07)	Gold (08)	Chrome (09)	Brushed Silver (10)
<p><b>STD-DPF1 - XX</b>                      D = .47" L = .79" L = .39" C = .28"                      Holds mat'l thickness from 0 - 1/8" back and 0 - 3/8" front</p>		<p><b>STD-DPF3 - XX</b>                      D = .59" L = 1.18" L = .39" C = .28"                      Holds mat'l thickness from 0 - 1/8" back and 0 - 3/8" front</p>		<p><b>STD-DPF4 - XX</b>                      D = .59" L = 1.97" L = .39" C = .28"                      Holds mat'l thickness from 0 - 1/8" back and 0 - 3/8" front</p>	
<p><b>STD-DPF5 - XX</b>                      D = .75" L = .59" L = .39" C = .28"                      Holds mat'l thickness from 0 - 1/8" back and 0 - 3/8" front</p>		<p><b>STD-DPF6 - XX</b>                      D = .98" L = .98" L = .39" C = .39"                      Holds mat'l thickness from 0 - 3/16" back and 0 - 5/16" front</p>		<p><b>STD-DPF7 - XX</b>                      D = .98" L = 1.97" L = .39" C = .39"                      Holds mat'l thickness from 0 - 1/8" back and 0 - 5/16" front</p>	

Specify colour code - Replace 'XX' with colour required. D = Diameter L = Length C = Cap Height



# elite™

## single panel

Superb, stainless steel Elite™ stand-offs are perfect for outdoor or high humidity surroundings. Sturdy and attractive design for single and double panel signage. Elite™ stand-offs are the most durable choice for demanding architectural design projects.



**Features:**

- ▶ Material: stainless steel
- ▶ Sturdy single or double panel support system
- ▶ Application: indoor and outdoor
- ▶ Stainless steel stud extenders available:  
**STD-SS-EXT3** - 5/16" x 3/4" length  
**STD-SS-EXT** - 5/16" x 1" length











**Packaging:**







Sold in sets of 4.  
 Drywall anchors.  
 Assembly kit included.

Stainless steel stud extenders are sold separately in packs of four. Stud extenders allow Elite stand-offs to accept substrates that are 3/4" and 1" thick.



<b>Stainless Steel (01)</b>				
	<b>STD-SPF1-01</b> D = .47" L = .59" C = .28" Holds mat'l thickness from 1/8" - 7/16"	<b>STD-SPF2-01</b> D = .59" L = .39" C = .28" Holds mat'l thickness from 1/8" - 7/16"	<b>STD-SPF3-01</b> D = .59" L = .71" C = .28" Holds mat'l thickness from 1/16" - 7/16"	<b>STD-SPF4-01</b> D = .59" L = 1.57" C = .28" Holds mat'l thickness from 0 - 7/16"
				
	<b>STD-SPF5-01</b> D = .75" L = .39" C = .28" Holds mat'l thickness from 1/8" - 3/16"	<b>STD-SPF7-01</b> D = .98" L = .39" C = .31" Holds mat'l thickness from 1/4" - 7/16"	<b>STD-SPF8-01</b> D = .98" L = .79" C = .31" Holds mat'l thickness from 0 - 1/4"	<b>STD-SPF10-01</b> D = .98" L = 1.97" C = .39" Holds mat'l thickness from 0 - 3/8"

## double panel

<b>Stainless Steel (01)</b>			
	<b>STD-DPF1-01</b> D = .47" L = .79" L = .39" C = .28" Holds mat'l thickness from 0" - 1/8" back and 0" - 3/8" front	<b>STD-DPF3-01</b> D = .59" L = 1.18" L = .39" C = .28" Holds mat'l thickness from 0" - 1/8" back and 0" - 3/8" front	<b>STD-DPF4-01</b> D = .59" L = 1.97" L = .39" C = .28" Holds mat'l thickness from 0" - 1/8" back and 0" - 3/8" front
			
	<b>STD-DPF5-01</b> D = .75" L = .59" L = .39" C = .28" Holds mat'l thickness from 0" - 1/8" back and 0" - 5/16" front	<b>STD-DPF6-01</b> D = .98" L = .98" L = .39" C = .39" Holds mat'l thickness from 0" - 3/16" back and 0" - 5/16" front	<b>STD-DPF7-01</b> D = .98" L = 1.97" L = .39" C = .39" Holds mat'l thickness from 0" - 3/16" back and 0" - 5/16" front

D = Diameter L = Length C = Cap Height

# zoom™

## stand-offs

Zoom™ stand-offs are unique because they are telescoping. They allow each corner of the sign to be projected out from the wall at varying distances to ensure stable mounting to uneven or sloping walls.




### Features:

- Material: high quality electroplated brass
- Tamper proof feature: locking set screw
- Indoor and outdoor weather-able
- Installation method: drywall screws & anchors
- Recommended load per piece: 22 lbs / 10 kg
- 0.35" holes required in signage substrate

### Packaging:

Sold in packs of four.  
Assembly kit included.



 <p>D - .79" L - 1.18 - 1.77" C - .12" Holds mat'l thickness from 0 - .79"</p>	<b>Brass</b>
	 <p><b>Satin Silver (03)</b></p>
	<p><b>STD-FZ20-03</b></p>

# fixxo™

Fixxo™ is a contemporary synthetic stand-off. Small plastic tabs keep the panel strongly affixed, and the stainless steel spring prevents tampering. Great for high-humidity applications.





### Features:

- Material: poly- carbonate
- Tamper resistant feature: retractable spring
- Indoor and outdoor weather-able
- Installation method: drywall screws & anchors
- Recommended load per piece: 11 lbs / 5 kg
- 0.35" holes required in signage substrate

### Packaging:

Sold in packs of four.  
Assembly kit included.



 <p>D - .63" L - .83" C - .16" Holds mat'l thickness from 0 - .47"</p>	<b>Polycarbonate</b>
	 <p><b>Clear Green (90)</b></p>
	<p><b>STD-FF1X-90</b></p>

D = Diameter L = Length C = Cap Height

# maxi™

## stand-offs

Maxi™ stand-offs are a great option for large-scale and exterior application signage. Ideal for highlighting the fixture as part of the sign design.






**Features:**

- › Material: high quality electroplated brass
- › Tamper resistant feature: locking set screw
- › Indoor and outdoor weather-able
- › Installation method: drywall screws & anchors
- › Recommended load per piece: 22 lbs / 10 kg
- › 0.35" holes required in signage substrate

**Packaging:**

Sold in packs of four.  
Assembly kit included.



 D - .98" L - .98" C - .16" Holds mat'l thickness from 0 - .59"	Brass	
	Satin Silver (03)	Chrome (09)
		
	STD-FM25-03	STD-FM25-09

# rapid™

Rapid™ stand-offs feature a patented design that utilizes a tamper-proof interlocking plug system to ensure security. User-friendly, hassle-free and time saving.








**Features:**

- › Material: plated die-cast metal
- › Tamper resistant feature: locking set screw
- › Indoor and outdoor weather-able
- › Installation method: drywall screws & anchors
- › Recommended load per piece: 22 lbs / 10 kg
- › 0.35" holes required in signage substrate

**Packaging:**

Sold in packs of four.  
Assembly kit included.



 D - .59" L - .79" C - .12" Holds mat'l thickness from .08" - .47"	Brass			
	Satin Silver (03)	Chrome (09)	Steel Look (11)	Bronze (12)
				
	STD-FRA15-03	STD-FRA15-09	STD-FRA15-11	STD-FRA15-12

D = Diameter L = Length C = Cap Height

# steel™

## stand-offs

Steel™ stainless stand-offs are excellent for industrial and outdoor projects. High durability and corrosion resistance, a low sleek profile and an integrated stand-off cap.



### Features:

- › Material: stainless steel
- › Tamper resistant feature: locking set screw
- › Low profile cap
- › Indoor and outdoor weather-able
- › Installation method: drywall screws & anchors
- › Recommended load per piece:  
(15 mm, 20 mm, 25 mm): 33 lbs / 15 kg
- › Recommended load per piece: (50 mm): 66 lbs / 30 kg
- › Required hole diameters in signage substrate:  
STD-FS15-01, STD-FS20-01, STD-FS25-01: 0.35" / 9 mm  
STD-FS50-01: 0.63" / 16 mm



### Packaging:

Sold in packs of four.\*  
Assembly kit included.

\* STD-FS50-01 sold individually



### Stainless Steel (01)



**STD-FS15-01**  
D = .59" L = .59" C = .08"  
Holds mat'l thickness  
from .08" - .43"



**STD-FS20-01**  
D = .78" L = .78" C = .08"  
Holds mat'l thickness  
from .08" - .43"



**STD-FS25-01**  
D = .98" L = .98" C = .08"  
Holds mat'l thickness  
from .08" - .63"



**STD-FS50-01**  
D = 1.97" L = 1.97" C = .20"  
Holds mat'l thickness  
from .20" - 1.57"

# mix™

Mix™ stand-offs are perfect for mounting signage in hard to reach niches and corners.



### Features:

- › Material: high quality electroplated brass
- › Indoor and outdoor weather-able
- › Installation method: drywall screws & anchors
- › Recommended load per piece: STD-FMX13-03: 22 lbs / 10 kg  
STD-FMX19-03, STD-FMX25-03, STD-FMX40-03: 33 lbs / 15 kg
- › Required hole diameters in signage substrate:  
STD-FMX13-03: 0.35" / 9 mm  
STD-FMX19-03, STD-FMX25-03, STD-FMX40-03: 0.51" / 13 mm

### Packaging:

Sold in packs of four.\*  
Assembly kit included.

\* STD-FMX40-03 sold individually



### Satin Silver (03)



**STD-FMX13-03**  
D = .51" L = .75" C = .20"  
Holds mat'l thickness  
from 0 - .39"



**STD-FMX19-03**  
D = .75" L = .98" C = .20"  
Holds mat'l thickness  
from 0 - .55"



**STD-FMX25-03**  
D = .98" L = 1.18" C = .24"  
Holds mat'l thickness  
from 0 - .71"



**STD-FMX40-03**  
D = 1.57" L = 1.57" C = .31"  
Holds mat'l thickness  
from 0 - .98"

D = Diameter L = Length C = Cap Height

# mix alu™

## stand-offs

Low-profile domed cap stand-off with an elegant, fingerprint resistant matte finish. Aluminum construction, well-suited for a variety of applications.

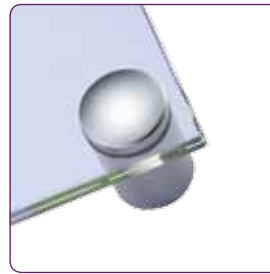





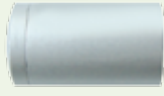

### Features:

- Material: anodized aluminum
- Tamper resistant feature: reverse threading
- Indoor and outdoor weather-able
- Installation method: drywall screws & anchors
- Recommended load per piece: 33 lbs / 15 kg
- 0.35" holes required in signage substrate

### Packaging:

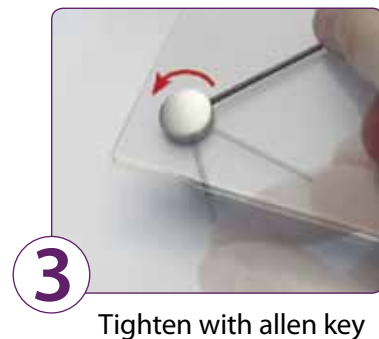
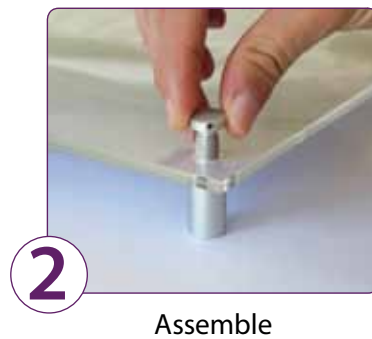
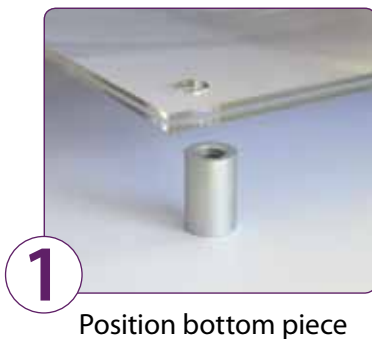
Sold in packs of four.  
Assembly kit included.  
Requires allen key.



Solid Aluminum		
Silver Matte (03)	Gold Matte (08)	
		
		
<b>STD-FMA31-03</b> D - .51" L - .51" C - .16" Holds mat'l thickness from 0 - .20"	<b>STD-FMA32-03</b> D - .51" L - .79" C - .20" Holds mat'l thickness from 0 - .47"	<b>STD-FMA32-08</b> D - .51" L - .79" C - .20" Holds mat'l thickness from 0 - .47"

D = Diameter L = Length C = Cap Height

Assembly as easy as 1 - 2 - 3



# midi™

## stand-offs

Midi™ stand-offs are great for applications that require a medium-sized stand-off.







### Features:

- > Material: high quality electroplated brass
- > Tamper resistant feature: locking set screw
- > Indoor and outdoor weather-able
- > Installation method: drywall screws & anchors
- > Recommended load per piece: 33 lbs / 15 kg
- > 0.35" holes required in signage substrate

### Packaging:

Sold in packs of four.  
Assembly kit included.



 D - .59" L - .83" C - .12" Holds mat'l thickness from 0 - .43"	Brass		
	Satin Silver (03)	Gold (08)	Chrome (09)
			
	STD-F15-03	STD-F15-08	STD-F15-09

D = Diameter L = Length C = Cap Height

Assembly as easy as 1 - 2 - 3



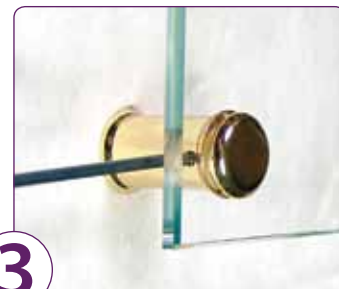
1

Position bottom piece



2

Assemble



3

Tighten with allen key

# corner™ mounting fixture

Corner™ mounting fixtures have a unique 90° angled notch that locks and holds your sign or panel in place without having to drill holes through your sign material.

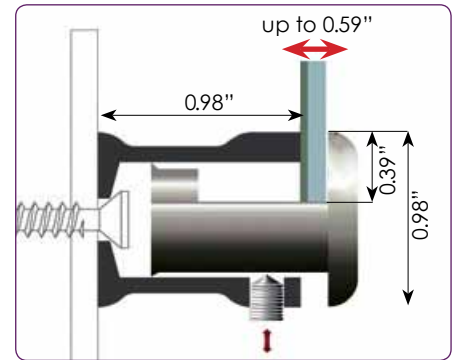


**Features:**

- Material: high quality electroplated brass
- Anti-vandalism feature: locking set screws
- Recommended load per piece: 11 lbs/5 kg  
Note: bottom hardware supports the weight
- Application: indoor or outdoor

**Packaging:**

Sold in sets of 4.  
Drywall anchors.  
Assembly kit included.



Solid Brass	
Finish	Part #
Silver Matte	STD-FC2525-03

D = Diameter L = Length

# border™

Edge gripper hardware with the look of a decorative stand-off designed for easy reuse. Save time and money with easy installation — eliminating the need to drill through expensive signage, panels or glass.

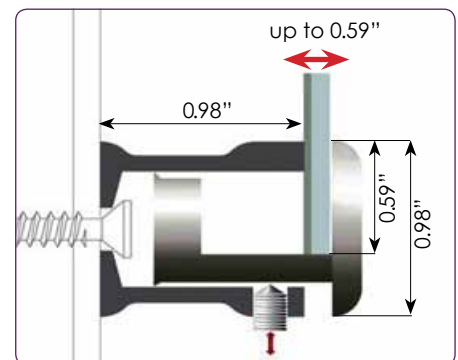


**Features:**

- Material: high quality electroplated brass
- Thin domed cap for sleek appearance
- Anti-vandalism feature: locking set screws
- Recommended load per piece: 11 lbs/5 kg.  
Note: bottom hardware supports the weight
- Application: indoor or outdoor

**Packaging:**

Sold in sets of 4.  
Drywall anchors.  
Assembly kit included.



Solid Brass	
Finish	Part #
Silver Matte	STD-FB2525-03

D = Diameter L = Length

# dimensional™

## wall mounting fixture

Economical and versatile mounting solution with a highly unique look that is well-suited for a wide array of design applications.



### Features:

- Material: solid aluminum
- Integrated cap and screw with non-slip rubber grips
- Applications: indoor

### Packaging:

Sold in sets of 4.  
Comes with torque-lock hex wrench.  
Drywall anchors.  
Assembly kit included.



Solid Aluminum			
Black (02)	Matte Silver (03)	Gold (08)	Chrome (09)
<b>STD-DM1 - XX</b> Diameter - .51" Barrel Length - .63" Cap Height - .16" Holds mat'l thickness from 0 - 0.28"	<b>STD-DM2 - XX</b> Diameter - .63" Barrel Length - .75" Cap Height - .16" Holds mat'l thickness from 0 - 0.47"	<b>STD-DM3 - XX</b> Diameter - .75" Barrel Length - .98" Cap Height - .16" Holds mat'l thickness from 0 - 0.50"	

Specify colour code - Replace 'XX' with colour required

## edge gripper mounts

Economical and easy-to-install mounting system featuring a decorative face cap that rotates 360° for any desired orientation. Eliminates the need to drill through expensive substrates.



### Features:

- Material: solid aluminum
- Decorative light weight aluminum design
- Holds panels up to 7/16" thick
- Single set screw to create a tamper resistant secure mounting
- These grippers mount flush to the wall and are low profile at only 1"
- Applications: indoor

### Packaging:

Sold in sets of 4.  
Comes with torque-lock hex wrench.  
Drywall anchors.  
Assembly kit included.

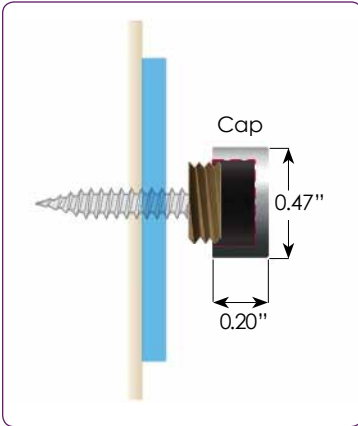
Solid Aluminum					
	Black (02)	Matte Silver (03)	Gold (08)	Chrome (09)	Brushed Bronze (12)
<b>STD-EDG - XX</b> Diameter - .75" Barrel Length - .98" Cap Height - .19" Holds mat'l thickness from 0 - 7/16"					

Specify colour code - Replace 'XX' with colour required.

# metro™

## screw caps

Metro Screw Caps give you the perfect finishing touch to any sign mounting project. Easy to assemble. Simply affix the Metro Screw Cap over an exposed screw for a seamless match to other Metro series products.








**Features:**

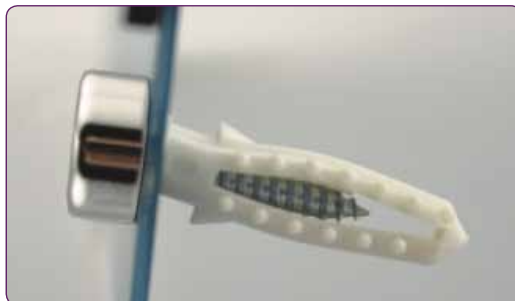
- > Materials: solid brass or aluminum
- > Matches the finished look of Metro stand-offs
- > Quick and easy assembly
- > 0.18" / 4.5 mm holes required in signage substrate
- > Application: indoor

**Packaging:**

Includes 12 flat style screw caps.  
Brass connectors.  
Standard size screws with drywall anchors.



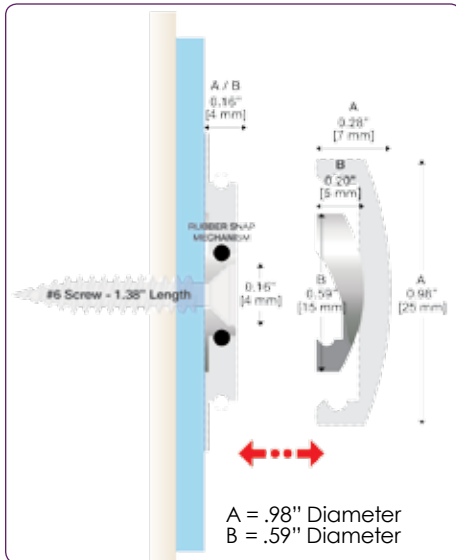
 Diameter - .47" Cap Height - .20" Screw Length 1"	Solid Brass		Solid Aluminum	
	Powder Coated		Chrome Plated	Turned Brushed Finish
	Black (02)	Satin Chrome (03)	Chrome (09)	Brushed Silver (10)
				
	STD-SCF - 02	STD-SCF - 03	STD-SCF - 09	STD-SCF - 10



# micro™ & micro steel™

## screw caps

Micro™ and Micro Steel™ decorative screw caps are used to mount sign materials flush to the wall quickly and easily. Micro™ screw caps feature a front mounting snap system for installation in places that are not easily accessible.



### Features:

- Micro™ material: high quality electroplated brass
- Micro Steel™ material: stainless steel
- Indoor and outdoor weatherable
- Installation methods: drywall screws & anchors
- Recommended load per piece: 33 lbs / 15 kg
- 0.18" / 4.5mm holes required in signage substrate

### Packaging:

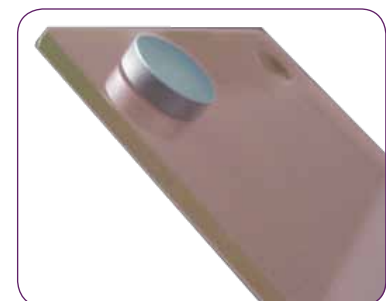
Eight (8) snap-on caps with rubber "O" ring.  
Screws and drywall anchors.  
Assembly kit included.



### micro steel™

### micro™

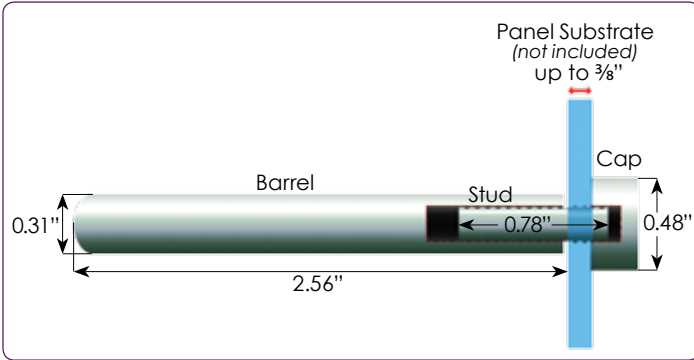
	Stainless Steel	Brass	
	Stainless Steel (01)	Silver Matte (03)	Chrome (09)
 Diameter - .59" Cap Height - .20"	 STD-FM15-01	 STD-FM15-03	 STD-FM15-09
Diameter - 1" Cap Height - .27"		STD-FM25-03	



# metro™

## easel systems

Metro Easel Systems work in perfect harmony with other Metro series products. The ideal product to complete your interior architectural signage system.



**Features:**

- > Material: solid brass
- > 3 cap styles: flat, ball, raised
- > Ideal for counter top display.
- > Application: indoor

**Packaging:**

Includes 2 bottom easels in chosen length.  
2 optional top corners to match.



**Easel Display:**

2 anchor units



**Easel Display System:**

2 decorative units & 2 anchor units



Solid Brass			
Powder Coated		Chrome Plated	
Black (02)	Satin Chrome (03)	Chrome (09)	
Diameter - .48" Length - 2.56" Holds mat'l thickness from 0 - 3/8"			
	<b>Flat Top</b>	<b>Ball Top</b>	<b>Raised Top</b>
Easel Display (2 pcs.) Easel Display System (4 pcs.)	STD-EDF1 - XX STD-EDSF1 - XX	STD-EDB1 - XX STD-EDSB1 - XX	STD-EDR1 - XX STD-EDSR1 - XX

Specify colour code - Replace 'XX' with colour required

**Easel Display System Premier:**

2 decorative units and 2 anchor units



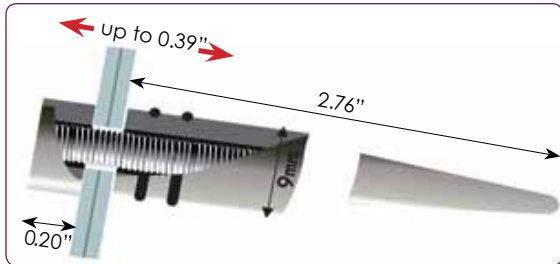
Features 2 top pieces with a finished end-cap that encloses the screw.



Solid Brass		
<b>Chrome Plated</b>		
<b>Chrome (09)</b>	<b>Premier Flat Top</b>	<b>Premier Ball Top</b>
Diameter - .32" Length 1.97"	STD-EDSF2-09	STD-EDSB2-09
Diameter - .59" Length 1.97"	STD-EDSF4-09	STD-EDSB4-09
Diameter - .32" Length 2.96"	STD-EDSF6-09	STD-EDSB6-09
Diameter - .59" Length 2.96"	STD-EDSF8-09	STD-EDSB8-09

# desk easel systems

A simple, fresh sign support solution that can be incorporated into any décor, from traditional to modern. Accommodates a variety of display heights.



### Features:

- Material: anodized aluminum
- Holds material up to 0.39" thick
- Installation method: drill through display (sign)
- Note: change the angle of the sign by positioning the hole higher or lower
- Application: indoor



### Packaging:

Sold in sets of 2.  
Comes with torque-hex wrench.  
Assembly kit included.

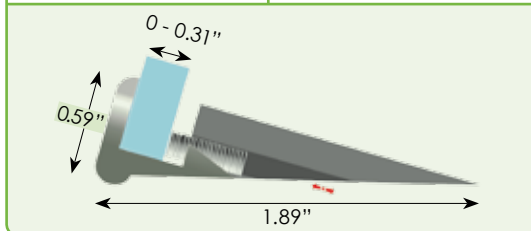


Part #	Finish
STD-FDK3-03 D-.35" L - 2.76" Holds mat'l thickness from 0 - .39"	Silver Matte

# table

A decorative solution for counter or point-of-purchase signage that eliminates the need to drill through expensive signage or glass.

Part #	Finish
STD-FTB3-03 D-.59" L - 1.89" Holds mat'l thickness from 0 - .31"	Satin Silver



### Features:

- Material: high quality electroplated brass
- No holes required in signage substrate
- Tamper resistant feature: locking set screw
- Application: indoor



### Packaging:

Sold in sets of 2.  
Assembly kit included.

D = Diameter L = Length

# pressto™

## wide panel base

Ideal for quick installation and last minute displays, this innovative free-standing product is used with panels to create eye-catching signage, advertising, and other decorative floor elements.



**Features:**

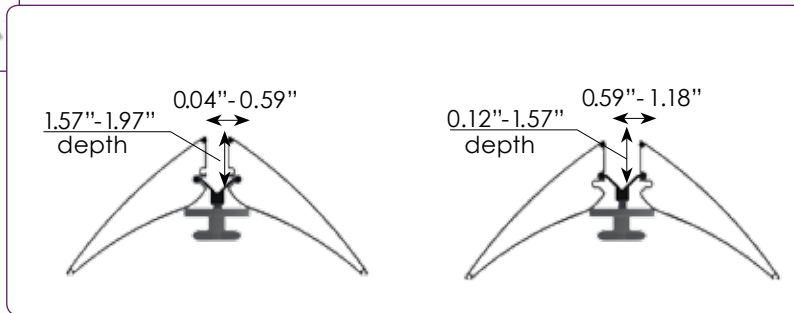
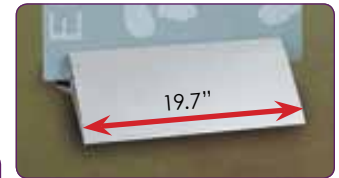
- Heavy duty anodized aluminum construction
- Holds material 0.039" - 1.18". Substrates are up to 5' height
- Installation method: Knurled head screw offers maximum flexibility to safely open and close the profile and secure the display or sign
- Integrated rubber laces protect the panel and act as an anti-slip pad for secure mounting
- Application: indoor

**Packaging:**

Sold as "each".  
Kit includes: bottom base, knurled tightening knob and rubber lace. Assembly instructions.



Finish	Part #	Length
Silver Matte	STD-PRE5-03	19.7"



## sandwich clamp



**Features:**

- Optional sandwich clamp for use with either the Pressto™ or MyPressto™ bases.
- Silver-plated
- Holds material up to 0.63" thick
- Securely locks two back-to-back panels together

**Packaging:**

Sold as "each".  
Requires Allan key for sandwich connector.

**Optional:**

Components available for separate purchase: finished synthetic end caps (4 per set)



Finish	Part #
Silver	STD-PRES-CL-03

# my pressto™

## narrow panel base

MyPressto™ is used with panels to create signpoints, banners and other decorative floor elements. Benefits of Pressto™, but with the option to add a customizable plastic or paper insert.



### Features:

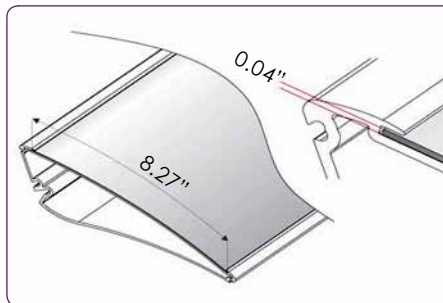
- > Material: Heavy duty anodized aluminum construction
- > Substrates up to 5' high
- > Holds material thickness from 0.04" - 1.18" / 1-30 mm
- > Knurled head screw offers maximum flexibility to safely open and close the profile and secure the display
- > Applications: indoor

### Packaging:

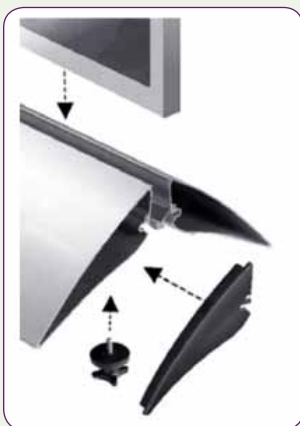
Sold as "each".

Kit includes: bottom base, knurled tightening knob, optional transparent 0.04" piece/lens. Assembly instructions.

Finish	Part #	Length
Black	STD-PRE4-03	15.75"



## end caps



### Features:

- > Optional black side caps create a finished, cohesive look for either the Pressto™ or MyPressto™ bases.

### Packaging:

One set consists of 4 black side caps.

### Optional:

Component available for separate purchase:  
- sandwich clamp for back-to-back panel mounting

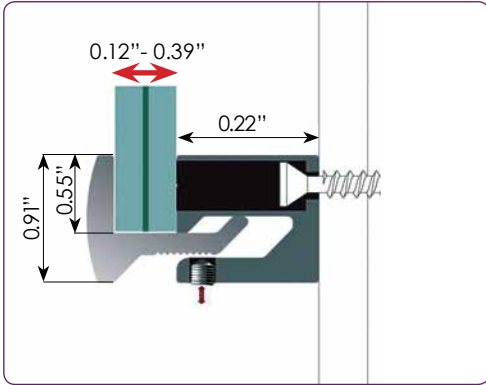


Finish	Part #
Black	STD-PRES-EC-02

# clamper™

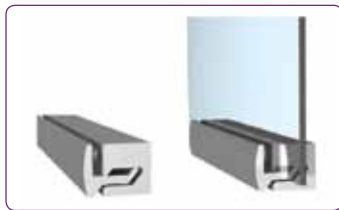
## wall mounting fixture

Robust contemporary alternative to stand-offs that accepts a wide range of material thicknesses for secure mounting. Eliminates the need to drill through substrates.



**Features:**

- Material: silver anodized aluminum
- Holds material 0.12" - 0.39" thick
- Anti-vandalism feature: locking set screws
- Use singularly or in pairs for vertical or horizontal clamping.
- Recommended load: each installation application must be tested individually
- Application: indoor or outdoor
- Available in lengths up to 36".



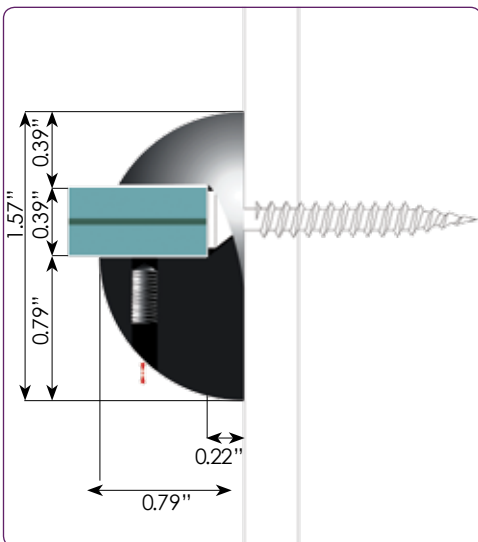
**Packaging:**

Sold as "each".  
Includes drywall anchors.  
Assembly kit included.

Solid Aluminum	
Finish - Silver Matte	
Part #	Length
STD-FCL3-3	2.36"
STD-FCL3-4	3.94"
STD-FCL3-8	7.87"
STD-FCL3-12	11.81"
STD-FCL3-16	15.75"
STD-FCL3-24	23.62"
STD-FCL3-36	35.43"

# punto™

Punto™ is a unique method to display flag, ceiling, floor and table top signage. Can be used as a display shelf mounted horizontally on the wall.




**Features:**

- Material: high quality electroplated brass
- Holds material up to 0.39" thick
- Great for commercial and residential end-user
- Anti-vandalism feature: locking set screw
- Recommended load per piece: 11 lbs/5 kg
- Application: indoor and outdoor

**Packaging:**

Sold as "each".  
Comes with torque-lock hex wrench.  
Drywall anchors.  
Assembly kit included.



 Diameter - 1.5"	Part #	Finish
	STD-FPT-03 STD-FPT-09	Satin Silver Chrome

# meridian™

## suspension cable systems

This system offers a convenient solution for suspended ceiling mounted signage in compliance with interior design requirements. System is ready to accept your signage or display substrate. No holes required in signage substrate.



### Features:

- Material: stainless steel
- Hand adjustable quick locking cable mechanism
- Application: indoor
- Recommended load per piece: 10 lbs / 4 kg

### Packaging:

Mounting clip system.  
Substrate grips.  
Steel cable.  
Systems sets of 2.

### Assembly:

Press on the raised area of the screw component to adjust the cable to the desired length. This allows for easy adjustments of the cable length modification without the use of an allen or hex head set screw.



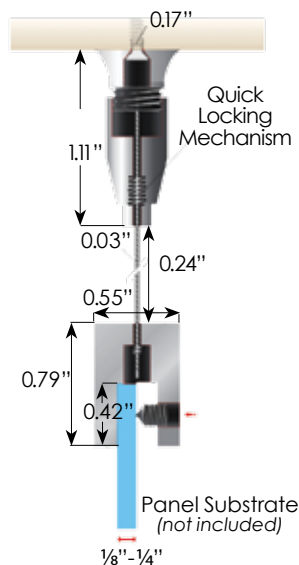
### Cable System B - top



#### STD-CBB-T24

Cable Length - 24"  
Cable - .030"  
Finish - Silver

Recommended gauge of material for suspension - 1/8" - 1/4"



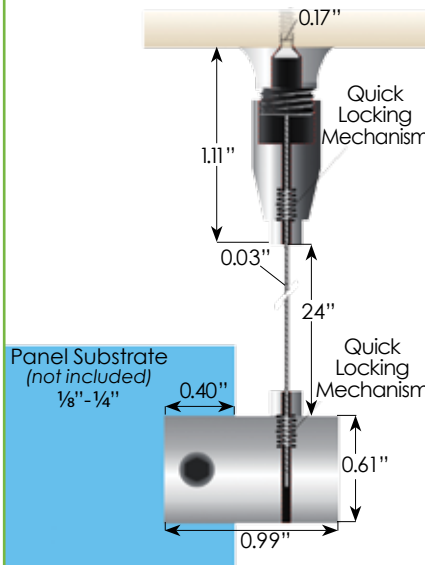
### Cable System C - side



#### STD-CBC-S24

Cable Length - 24"  
Cable - .030"  
Finish - Silver

Recommended gauge of material for suspension - 1/8" - 1/4"



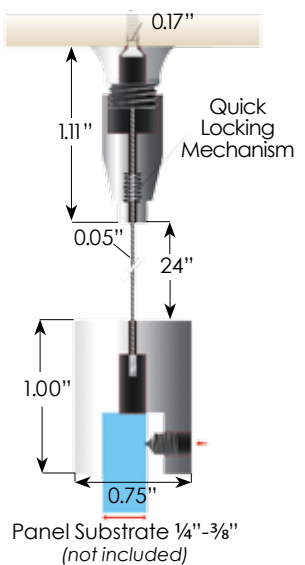
### Cable System E - top



#### STD-CBE-T24

Cable Length - 24"  
Cable - .050"  
Finish - Silver

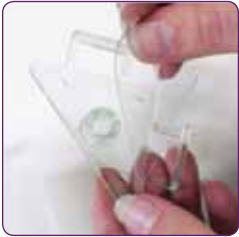
Recommended gauge of material for suspension - 1/4" - 3/8"



# ghost™

## hidden support

Ghost™ is a hidden support system fastened or adhered to the back of the panels, signs and dimensional letters. Ghost™ achieves a clean look without drilling permanent holes through signage material.



### Features:

- Materials: brass nickel plated barrel, poly-carbonate plate & snapping fastener
- Tamper resistant feature: snapping lock fastener
- Suitable for indoor applications
- Installation methods: VHB tape, liquid glue, screws or silicone (only use VHB tape and glue for indoor applications)
- Recommended load per piece: test each installation application individually
- No holes required in signage substrate

### Packaging:

Sold in packs of four.  
 Assembly kit included.  
 Replacement Ghost™ plastic piece available 4/pk - STD-FG46-RPL



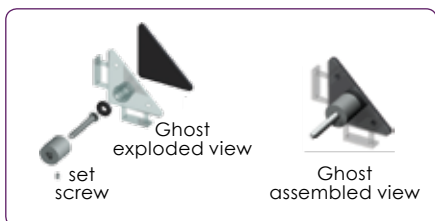
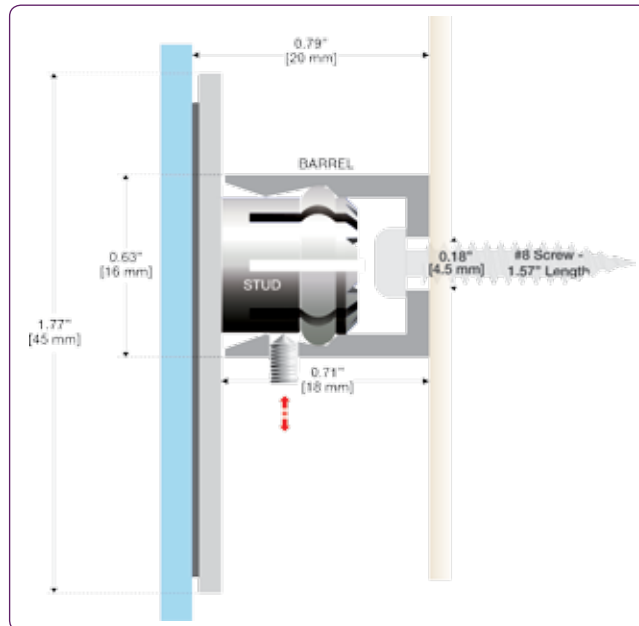
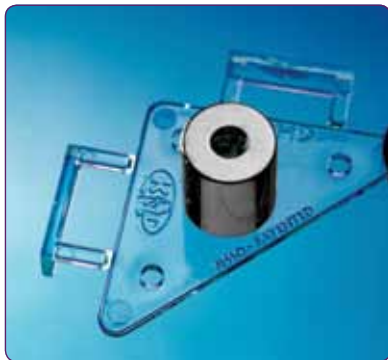
▶ Visit [clear-path.com](http://clear-path.com) for an installation video.



<b>Brass / Poly-carbonate</b>
<b>Clear Chrome (09)</b>
<b>STD-FG46-09</b>



D = Diameter L = Length



# panel connector™

## hidden support

Panel Connector™ is an interlocking, slide-in rail system used for sign and picture mounting installation. Signs and materials can be snapped in place quickly and changed as needed.

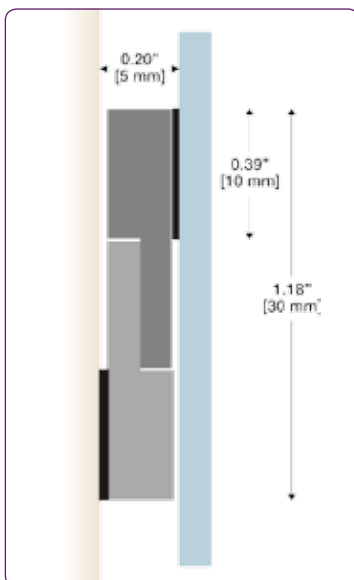
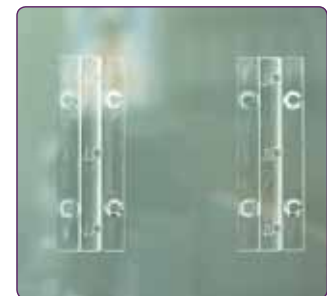
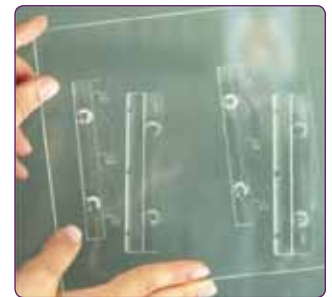
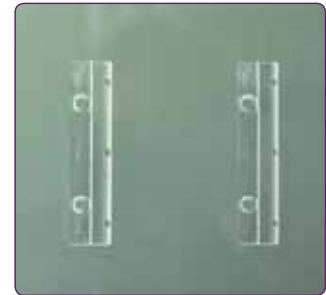


### Features:

- > Material: clear poly-carbonate
- > Suitable for indoor applications
- > Installation methods: VHB tape, liquid glue, screws or silicone (only use VHB tape and glue for indoor applications)
- > Recommended load per piece: test each installation application individually
- > No holes required in signage substrate

### Packaging:

Sold in four sets per pack.  
Assembly kit included.



**Poly-carbonate**

**Clear (00)**

**STD-FPC21-00**  
 Height - 2.36" Width - 1.18"



▶ Visit [clear-path.com](http://clear-path.com) for an installation video.

# klipser™

## hidden support

Klipser™ is a synthetic option which mounts the panel to the stand-off using a click system, preventing the stand-off from being visible from the front. The Klipser™ quickly and inexpensively adds dimension to any project.



### Features:

- ▶ Material: frosted poly- carbonate
- ▶ Indoor weather-able
- ▶ Installation methods: click system, VHB tape, liquid glue, or silicone
- ▶ Recommended load per piece: test each installation application individually
- ▶ No holes required in signage substrate



### Packaging:

Sold in packs of ten.  
Assembly kit included.



Frosted Poly-carbonate (00)			
	STD-FK151-00	STD-FK202-00	STD-FK203-00
	D = .59" L = .59"	D = .79" L = .79"	D = .79" L = 1.18"
	D = Diameter L = Length		



# pixfix™

Pixfix™ is a clever insert system that allows you to simply switch out panels anytime without creating holes. Mount the Pixfix™ to the panel in the shop to save time on the job site later.



### Features:

- ▶ Material: white poly-carbonate
- ▶ Indoor weather-able
- ▶ Installation methods: Slow setting adhesive tape provided (48 hour set time) for panel side. Liquid glue, screws or silicone may be used for wall mount application.
- ▶ Recommended load per piece: test each installation application individually
- ▶ No holes required in signage substrate



▶ Visit [clear-path.com](http://clear-path.com) for an installation video.

### Packaging:

Sold individually.  
Assembly kit included.

White (07)		STD-FPX-07
	Size- 3.94" x 3.94" Thickness of frame - 0.39"	



# nouveau™

## curved aluminum

The modern styling of the Nouveau™ curved frame system will give your next signage project a sleek, dimensional look. Nouveau™ frames add a subtle hint of contemporary design without overwhelming the intended message.



### Features:

- Ready to mount.
- Lightweight anodized aluminum frame with black or grey matte polymer finishing caps.
- 100% ADA compliant. Signs that are fabricated from engravable sheet materials (including those with Grade 2 Braille) can be easily inserted.
- Compatible with paper, aluminum or engravable sheet material inserts up to 1/16" thick.
- Special recessed interior channel feature requires drilling only through one layer of extrusion to mount to a flat surface.



### Packaging:

Sold individually.  
Frame pre-assembled.  
Clear gloss lens included for graphics protection.


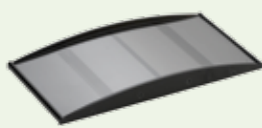
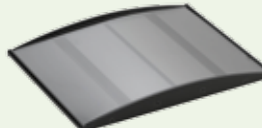

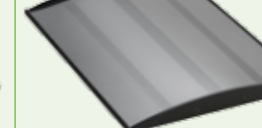


## wall plates

<b>Silver</b> 	 <b>STD-CRV3-310</b> - Grey end caps <b>STD-CRV4-310</b> - Black end caps Height = 3.07" Length = 10"	 <b>STD-CRV3-410</b> - Grey end caps <b>STD-CRV4-410</b> - Black end caps Height = 3.88" Length = 10"
--	---	--



## frames (available with black end caps)

<b>Black</b> 	 <b>STD-CRV4-48</b> Height = 4" Length = 8"	 <b>STD-CRV4-68</b> Height = 6" Length = 8"	 <b>STD-CRV4-88</b> Height = 8" Length = 8"	 <b>STD-CRV4-811</b> Height = 8.50" Length = 11"
---	--	--	---	---

# streamline™

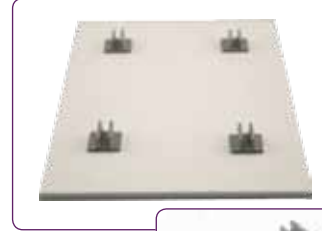
## 100 series

Features a slim, 1/16" reveal edge that compliments your overall design.



### Features:



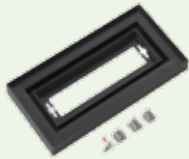
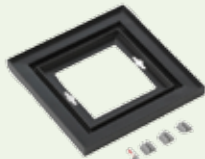
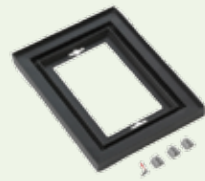
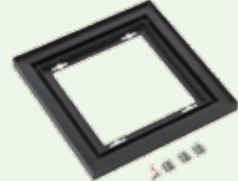
- Frame Material: anodized aluminum
- Indoor and outdoor weather-able
- Substrate thickness: 0-1/8" / 0-3.2 mm
- Installation method: screws or tape
- Snap Lock Technology: Positive locking button snaps securely into the frame slot. Each snap lock has a pressure-sensitive adhesive tab to hold the sign insert securely in place and provide tamper-resistant signage.
- Extra snap locks are available for purchase **STD-SNAP** - Sold in packs of 12



Snap Locks - STD-SNAP



## assembled frames

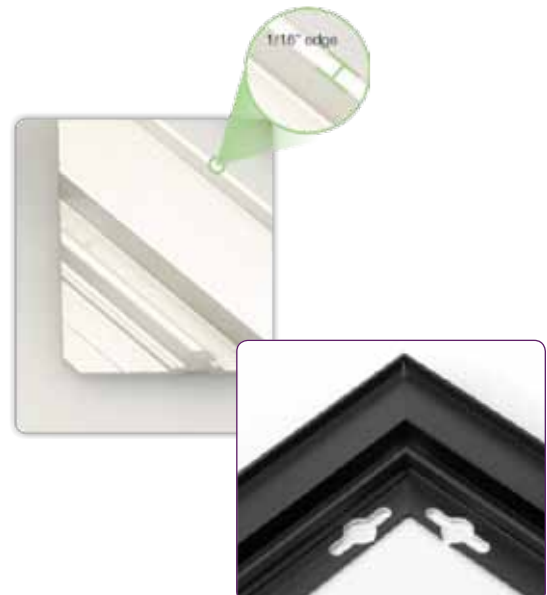
Comes assembled with snap locks. Sold individually.

<b>Black</b>  <b>Satin Silver</b> 	 <b>STD-STR1-BK-48</b> - Black <b>STD-STR1-SS-48</b> - Silver Size = 4" x 8"	 <b>STD-STR1-BK-66</b> - Black <b>STD-STR1-SS-66</b> - Silver Size = 6" x 6"	 <b>STD-STR1-BK-68</b> - Black <b>STD-STR1-SS-68</b> - Silver Size = 6" x 8"	 <b>STD-STR1-BK-88</b> - Black <b>STD-STR1-SS-88</b> - Silver Size = 8" x 8"
--	---	---	--	---

## unassembled frame pairs

Sold in pairs. Select frame lengths to complete your sign project. ie: 4" x 6" frame consists of one pair (2 pcs) of 4" lengths and one pair (2 pcs) of 6" lengths. Each set comes unassembled and includes snap locks & corner brackets.

	Length	Black	Silver	
<b>Black</b> 	3"	STD-STR1-403	STD-STR1-303	
	4"	STD-STR1-404	STD-STR1-304	
	5"	STD-STR1-405	STD-STR1-305	
	6"	STD-STR1-406	STD-STR1-306	
	7"	STD-STR1-407	STD-STR1-307	
	8"	STD-STR1-408	STD-STR1-308	
	<b>Satin Silver</b> 	8.5"	STD-STR1-4085	STD-STR1-3085
		9"	STD-STR1-409	STD-STR1-309
10"		STD-STR1-410	STD-STR1-310	
11"		STD-STR1-411	STD-STR1-311	
12"		STD-STR1-412	STD-STR1-312	
15"		STD-STR1-415	STD-STR1-315	
	18"	STD-STR1-418	STD-STR1-318	



# streamline™

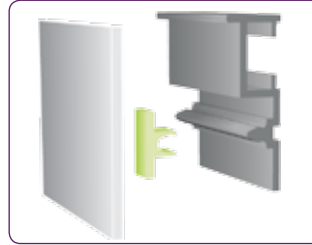
## 200 series

Features a 3/16" reveal edge design that matches our Portico poly frame system.



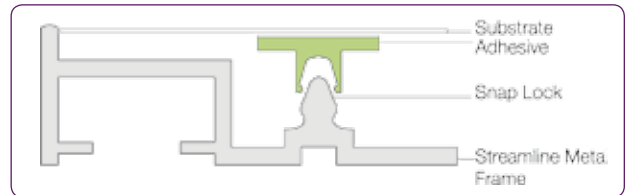
### Features:

- Frame Material: anodized aluminum
  - Indoor and outdoor weather-able
  - Substrate thickness: 0-1/8" / 0-3.2 mm
  - Installation method: screws or tape
  - Snap Lock Technology
  - Extra snap locks are available for purchase **STD-SNAP**
- Sold in packs of 12



### Snap Lock Technology

Positive locking button snaps securely into the frame slot. Each snap lock has a pressure-sensitive adhesive tab to hold the sign insert securely in place and provide tamper-resistant signage.



## assembled frames

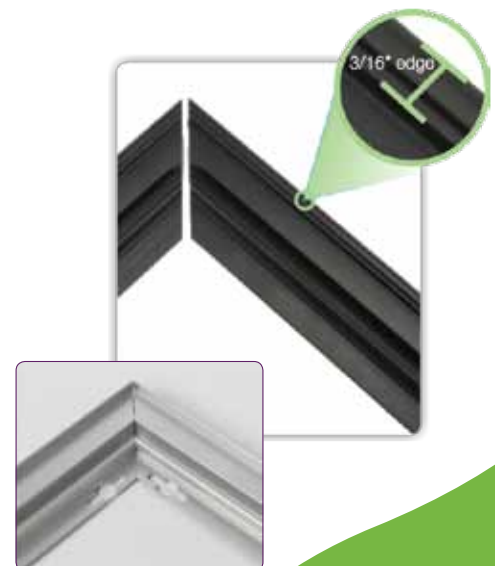
Comes assembled with snap locks. Sold individually.

<b>Black</b>  <b>Satin Silver</b> 	<p><b>STD-STR2-BK-48</b> - Black  <b>STD-STR2-SS-48</b> - Silver                  Size = 4" x 8"</p>	<p><b>STD-STR2-BK-66</b> - Black  <b>STD-STR2-SS-66</b> - Silver                  Size = 6" x 6"</p>	<p><b>STD-STR2-BK-68</b> - Black  <b>STD-STR2-SS-68</b> - Silver                  Size = 6" x 8"</p>	<p><b>STD-STR2-BK-88</b> - Black  <b>STD-STR2-SS-88</b> - Silver                  Size = 8" x 8"</p>
---	--	--	--	--

## unassembled frame pairs

Sold in pairs. Select frame lengths to complete your sign project. ie: 4" x 6" frame consists of one pair (2 pcs) of 4" lengths and one pair (2 pcs) of 6" lengths. Each set comes unassembled and includes snap locks & corner brackets.

	Length	Black	Silver
<b>Black</b> 	3"	STD-STR2-403	STD-STR2-303
	4"	STD-STR2-404	STD-STR2-304
	5"	STD-STR2-405	STD-STR2-305
	6"	STD-STR2-406	STD-STR2-306
	7"	STD-STR2-407	STD-STR2-307
	8"	STD-STR2-408	STD-STR2-308
<b>Satin Silver</b> 	8.5"	STD-STR2-4085	STD-STR2-3085
	9"	STD-STR2-409	STD-STR2-309
	10"	STD-STR2-410	STD-STR2-310
	11"	STD-STR2-411	STD-STR2-311
	12"	STD-STR2-412	STD-STR2-312
	15"	STD-STR2-415	STD-STR2-315
	18"	STD-STR2-418	STD-STR2-318



# classic™

## desk plate holders

Executive-style desk plate holders are a simple, classic and professional way to display name plates or identification signage. Classic™ desk plate holders look great on any desk, table or counter. Name plates slide in and can be easily changed as needed.



**Features:**

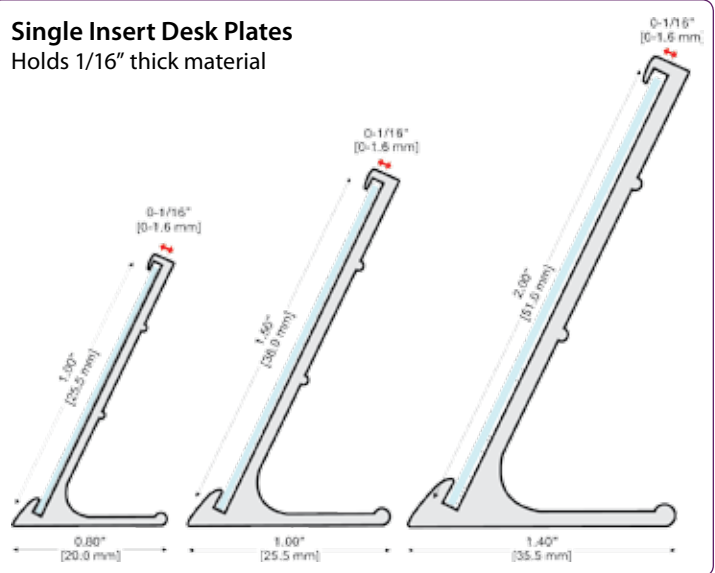
- Material: anodized aluminum
- Indoor weather-able
- Material thickness: 1/16" thick

**Packaging:**

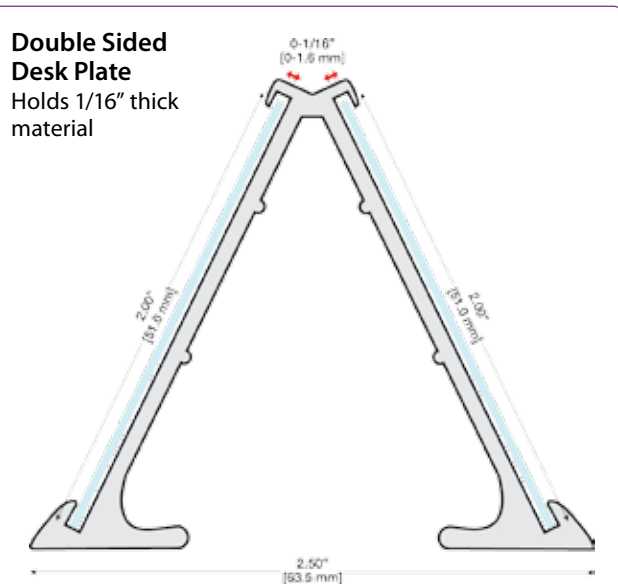
Sold individually.



Single Insert Desk Plate			
Part #	Height	Length	Finish
925R-208	1"	8"	Silver
925R-408	1"	8"	Black
925R-108	1"	8"	Gold
970R-208	1.5"	8"	Silver
970R-408	1.5"	8"	Black
970R-108	1.5"	8"	Gold
970R-210	1.5"	10"	Silver
970R-410	1.5"	10"	Black
970R-110	1.5"	10"	Gold
948R-208	2"	8"	Silver
948R-408	2"	8"	Black
948R-108	2"	8"	Gold
948R-210	2"	10"	Silver
948R-410	2"	10"	Black
948R-110	2"	10"	Gold



Double Sided Desk Plate			
Part #	Height	Length	Finish
933R-208	2"	8"	Silver
933R-108	2"	8"	Gold
933R-210	2"	10"	Silver
933R-110	2"	10"	Gold



# classic™

## wall plate holders

Perfect for areas where you want to display name plates or identification signage on a door, wall, cubicle or any other flat surface. This wall mounted holder has openings on either end that allow for the insert to be changed at a moment's notice.



### Features:

- Material: anodized aluminum
- Lightweight and durable.
- Material thickness: 1/16" thick

### Packaging:

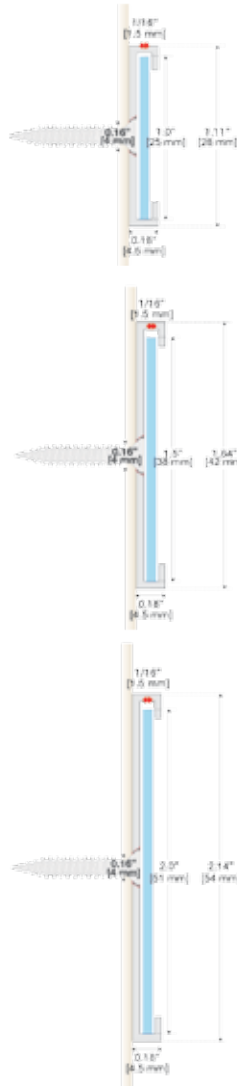
Sold in packs of 10.



Single Insert Wall Plate			
Part #	Height	Length	Finish
928R-208	1"	8"	Silver
928R-408	1"	8"	Black
928R-108	1"	8"	Gold
928R-210	1"	10"	Silver
928R-410	1"	10"	Black
928R-110	1"	10"	Gold
929R-208	1.5"	8"	Silver
929R-408	1.5"	8"	Black
929R-108	1.5"	8"	Gold
936R-204	2"	4"	Silver
936R-404	2"	4"	Black
936R-104	2"	4"	Gold
936R-208	2"	8"	Silver
936R-408	2"	8"	Black
936R-108	2"	8"	Gold
936R-210	2"	10"	Silver
936R-410	2"	10"	Black
936R-110	2"	10"	Gold

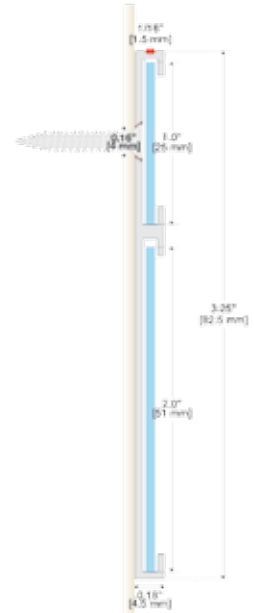
### Single Insert Wall Plates


Holds 1/16" thick material



### Double Insert Wall Plate

Holds 1/16" thick material



Double Insert Wall Plate			
Part #	Length	Height	Finish
915R-210	10"	2" & 1"	Silver
915R-410	10"	2" & 1"	Black
915R-110	10"	2" & 1"	Gold

# portico™

## poly frame system

The Portico™ system is available in a square corner or round corner frame that features 1/2" radius rounded corners and both come in a variety of colours and standard frame sizes. Both edge styles feature a 3/16" reveal edge.



### Features:

- Material: high impact plastic (polymer)
- Indoor and outdoor weather-able
- Substrate thickness: 0-1/8" / 0-3.2 mm
- Installation method: screws or tape (not included)



### Packaging:

Sold individually.  
Comes assembled with snap locks.  
Extra snap locks available for purchase  
**STD-SNP-000** - Sold in packs of 12



Snap Locks - STD-SNP-000

	Round Corner					Square Corner							
		Black	Slate Grey	Cocoa	Desert Sand		Linen White	Black	Slate Grey	Cocoa	Desert Sand	Patriot Blue	Porta-bello
Size	Round Part #					Square Part #							
2" x 4"	PRT-XXX-R24	BLK	GRY	BRN	SND	PRT-XXX-S24	WHT	BLK	GRY	BRN	SND		
2" x 6"	PRT-XXX-R26	BLK	GRY	BRN	SND	PRT-XXX-S26	WHT	BLK	GRY	BRN	SND		
2" x 8"	PRT-XXX-R28	BLK	GRY	BRN	SND	PRT-XXX-S28	WHT	BLK	GRY	BRN	SND	BLU	TAN
2" x 10"	PRT-XXX-R20	BLK	GRY	BRN	SND	PRT-XXX-S20	WHT	BLK	GRY	BRN	SND	BLU	TAN
2" x 12"	PRT-XXX-R212					PRT-XXX-S212	WHT	BLK	GRY	BRN	SND		
3" x 10"	PRT-XXX-R30	BLK	GRY	BRN	SND	PRT-XXX-S30	WHT	BLK	GRY	BRN	SND		
4" x 4"	PRT-XXX-R44	BLK	GRY	BRN	SND	PRT-XXX-S44	WHT	BLK	GRY	BRN	SND	BLU	TAN
4" x 8"	PRT-XXX-R48	BLK	GRY	BRN	SND	PRT-XXX-S48	WHT	BLK	GRY	BRN	SND	BLU	TAN
4" x 10"	PRT-XXX-R40	BLK	GRY	BRN	SND	PRT-XXX-S40	WHT	BLK	GRY	BRN	SND		
6" x 6"	PRT-XXX-R66	BLK	GRY	BRN	SND	PRT-XXX-S66	WHT	BLK	GRY	BRN	SND	BLU	TAN
6" x 8"	PRT-XXX-R68	BLK	GRY	BRN	SND	PRT-XXX-S68	WHT	BLK	GRY	BRN	SND	BLU	TAN
6" x 10"	PRT-XXX-R60					PRT-XXX-S60	WHT	BLK	GRY	BRN	SND		
6" x 12"	PRT-XXX-R62	BLK	GRY	BRN	SND	PRT-XXX-S62	WHT	BLK	GRY	BRN	SND		
8" x 8"	PRT-XXX-R88	BLK	GRY	BRN	SND	PRT-XXX-S88	WHT	BLK	GRY	BRN	SND	BLU	TAN
8.5" x 11"	PRT-XXX-R851					PRT-XXX-S851	WHT	BLK	GRY	BRN	SND		
10" x 10"	PRT-XXX-R10	BLK	GRY	BRN	SND	PRT-XXX-S10	WHT	BLK	GRY	BRN	SND	BLU	TAN
12" x 12"	PRT-XXX-R12	BLK	GRY	BRN	SND	PRT-XXX-S12	WHT	BLK	GRY	BRN	SND	BLU	TAN
2" x 8"	PRT-XXX-DR28 Desk Bar	BLK	GRY	BRN	SND	PRT-XXX-DS28 Desk Bar	WHT	BLK	GRY	BRN	SND		
2" x 10"	PRT-XXX-DR20 Desk Bar					PRT-XXX-DS20 Desk Bar	WHT	BLK	GRY	BRN	SND		

Specify colour code - Replace 'XXX' with colour required

# portico™

## modular frame directory

Start with our 3" x 18" header and base, then add as many 2" x 18" frame inserts as required to complete directory signage or a wall mounted directory

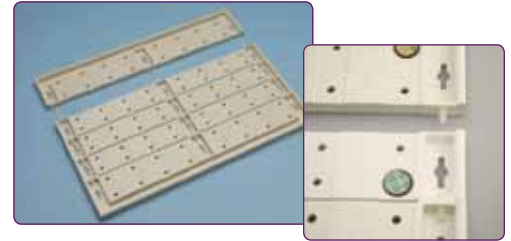


### Features:

- > Material: high impact plastic (polymer)
- > 3" x 18" header/base; 2" x 18" insert panels
- > Accepts a variety of substrates up to 1/8" thick.

### Packaging:

Includes assembly hardware kit.  
4 snap-locks included per insert.



	Round Corner					Square Corner					
Size		Black	Slate Grey	Cocoa	Desert Sand		Linen White	Black	Slate Grey	Cocoa	Desert Sand
Header / Base 3" x 18"	Round Part #					Square Part #					
	PRT-XXX-R318	BLK	GRY	BRN	SND	PRT-XXX-S318	WHT	BLK	GRY	BRN	SND
Insert 2" x 18"		PRT-BLK-R218 (Black)	PRT-GRY-R218 (Slate Grey)	PRT-BRN-R218 (Cocoa)	PRT-SND-R218 (Desert Sand)						

Specify colour code - Replace 'XXX' with colour required

# presto™

## ready made signs

NO SMOKING 'U'-STD-PRES-SMK 'F'-STD-PREF-SMK	ACCESSIBLE 'U'-STD-PRES-HND 'F'-STD-PREF-HND	STAIRS 'U'-STD-PRES-STR 'F'-STD-PREF-STR
MEN 'U'-STD-PRES-MENH 'F'-STD-PREF-MENH	MEN 'U'-STD-PRES-MEN 'F'-STD-PREF-MEN	WOMEN 'U'-STD-PRES-WMNH 'F'-STD-PREF-WMNH
WOMEN 'U'-STD-PRES-WMNH 'F'-STD-PREF-WMNH	RESTROOM 'U'-STD-PRES-UNI 'F'-STD-PREF-UNI	RESTROOM 'U'-STD-PRES-HNDR 'F'-STD-PREF-HNDR

Signs are ready to ship at a moment's notice.  
Perfect for those last-minute projects.

### Features:

- > Available and ready-to-ship in black with white text/graphics and grade 2 Braille.
- > 8" x 8" standard size.
- > 100% ADA compliant.
- > One piece injection-molded construction.
- > Cost-effective solution for restaurants, retail and small businesses.

### Packaging:

Sold individually.  
Framed option available in a Portico™ black frame.

'U' - Unframed ready made signs  
'F' - Framed ready made signs

# sales tools

## stand-offs display board



STD-DIS-STD

- Features actual size samples of Metro™ and Elite™ single & double panel stand-offs with varying finish options.
- Specifications listed under each mounting device.

## dimensional™ stand-offs display board



STD-DIS-DDM

- Features actual size samples with a wide array of design/finish options.
- Specifications listed under each mounting device.
- Complete with Dimensional Design and Edge Gripper mounting devices.

## ColorHues™ jump chain



ROW-HUES

- 1"x2" jump chain samples of each colour

## sign kit



KIT-9076-HUE

- Features sign design ideas

## display board



ROW-DIS-HUE

- Board size: 12" x 16"

## Frosted Acrylics sign kits



Frosted Acrylics Sign Kit KIT-9058-FRS



Woods Sign Kit KIT-9056-WDS



Reverse LaserMark® Kit KIT-9035-LMR

## LuminEssence™ sample kit



STD-KIT-LUM

Exclusive signage material (2" x 4" sheets, 1/32" thick) resembles the look of high-end marble, stone and granite in a lightweight, versatile material. Can be used as a back sign ground to complement any stand-off, way finding or frame system.



Note: This material is not recommended for laser engraving.



# signage materials

## ColorHues™ Cast Acrylics

ColorHues™ is a single-ply decorative sheet material with brilliant shades of color which is suited as a signage component or substrate. Offered in translucent, matte and opaque matte that are non-glare (one side) and gloss (one side). Clear, Ice Blue and Glass Green are translucent and gloss on both sides. Providing the benefits of glass in a lightweight, scratch resistant material. 1/8" thick

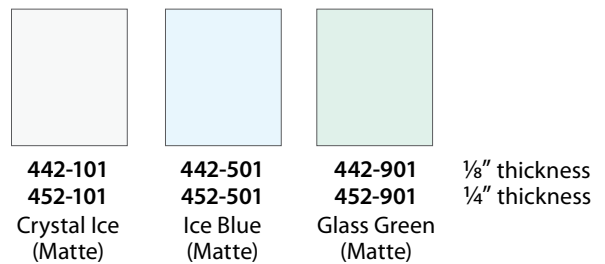


■ Gloss Finish \*Available 1/4" thick, 351CH-100 - Clear

## Frosted Acrylics

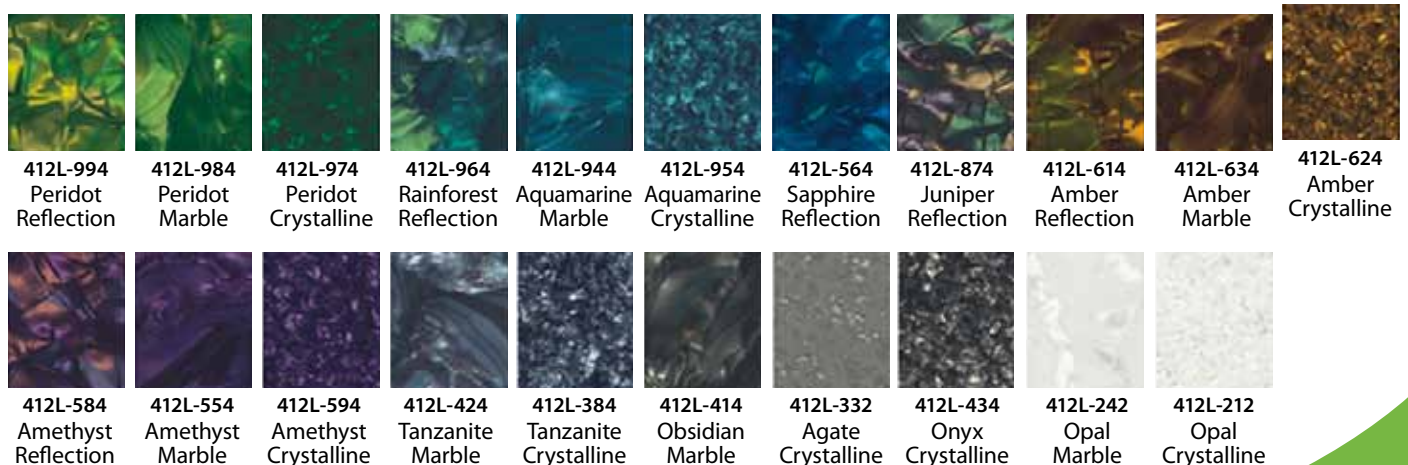
These icy colors are the ideal choice for point-of-purchase displays and architectural signage applications.

Elegant yet durable, this two-sided frosted substrate is resistant to fingerprints and scratches.



## LuminEssence™

This line features rich patterns and a glossy finish that complement a variety of signage applications. LuminEssence™ is available in 21 distinct colour combinations and three different patterns (Reflection, Marble, Crystalline).



Visit [www.cesco.ca](http://www.cesco.ca) for additional signage materials.

# Terms and Conditions of Sale



## GENERAL

1. All accounts are sold C.O.D. certified cheque, money order or credit card only.
2. NET 30 DAYS (approved accounts only). Credit must be applied for on our credit application form.
3. A service charge of 2% (two per cent) per month will be assessed on past due accounts.
4. Delinquent accounts over 60 days will be placed on credit hold, and may revert to COD terms.
5. There will be a \$25.00 Service Charge for returned cheques.
6. All discrepancies on shipment MUST be reported immediately.



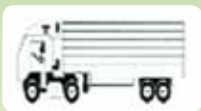
## PRICING

1. Prices and specifications are subject to change without notice.
2. All prices are NET prices. Effective prices shall be those on most current price list.
3. GST/HST is applicable on all merchandise.
4. Minimum order is \$25.00 for Net 30 day accounts, or small order fee will be applied.



## CREDIT CARDS

VISA, MASTERCARD and AMEX credit cards are accepted.  
VISA, MASTERCARD - minimum \$50.00 and AMEX - minimum \$100.00  
Credit cards are not accepted on Net 30 day accounts once terms have been extended.



## FREIGHT

All goods are shipped F.O.B. Canadian Engravers Supply, prepaid and charged, unless specifically noted.  
Otherwise shipping and handling charges will be added to the invoice.



## GOODS DAMAGED IN TRANSIT

The customer is responsible to check all parcels received for any damages by freight carrier. If damages occur, customer is to advise the carrier upon receipt of goods, keep all packaging, and advise our office immediately for claim instructions.

NOTE: Carriers will refuse any claim if not advised immediately.



## RETURNED GOODS

1. CUSTOM FABRICATED OR NON-STOCK ITEMS ARE NOT ELIGIBLE FOR RETURN.
2. Stock items are not eligible for return after 30 days.
3. Merchandise returns require a return goods authorization number. When calling, notify our Customer Service Department with product number and our invoice or packing slip number.
4. A credit will be applied to the customer's account for returned goods, provided products are in the original packaging and are received in good condition. No refund cheques are issued.
5. Credits will not be refunded to credit cards, only applied to the customers accounts for use on next order.
6. Returned goods are subject to 15% restocking charge, with a minimum charge of \$10.00



## WARRANTY / DISCLAIMER

The following warranty is in lieu of all warranties expressed or implied and covers all products sold by Canadian Engravers Supply Company Ltd. SPECIFICALLY, SELLER AND MANUFACTURER DISCLAIM WARRANTY OF MERCHANTABILITY OF OR FITNESS FOR A PARTICULAR PURPOSE and manufacturers/sellers only obligation shall be to replace such quantity of the product proved to be defective. Neither seller nor manufacturer shall be liable for any injury, loss or damage, direct or consequential, arising out of the use of, or the inability to use the product. Before using, user shall determine the suitability of the product for his intended use and User assumes all risk and liability whatsoever in connection therewith. The foregoing may not be altered except by an agreement signed by officers of sellers and manufacturers.

**CANADIAN ENGRAVERS SUPPLY CO. LTD.**  
385 Admiral Blvd., #2, Mississauga, ON L5T 2M8  
Tel: 905/877-795-1262  
Fax: 905-795-0219 or 1-800-632-3726  
Email: [sales@cesco.ca](mailto:sales@cesco.ca)



[www.cesco.ca](http://www.cesco.ca) · [www.laserstuff.ca](http://www.laserstuff.ca)  
Copyright© 2012 Canadian Engravers Supply Co. Ltd.

**CANADIAN ENGRAVERS SUPPLY ALBERTA LTD.**  
4730 14<sup>th</sup> St. N.E. Calgary, AB T2E 6L7  
Tel: 403-250-6774 or 1-877-775-6774  
Fax: 403-250-7718  
Email: [salesab@cesco.ca](mailto:salesab@cesco.ca)